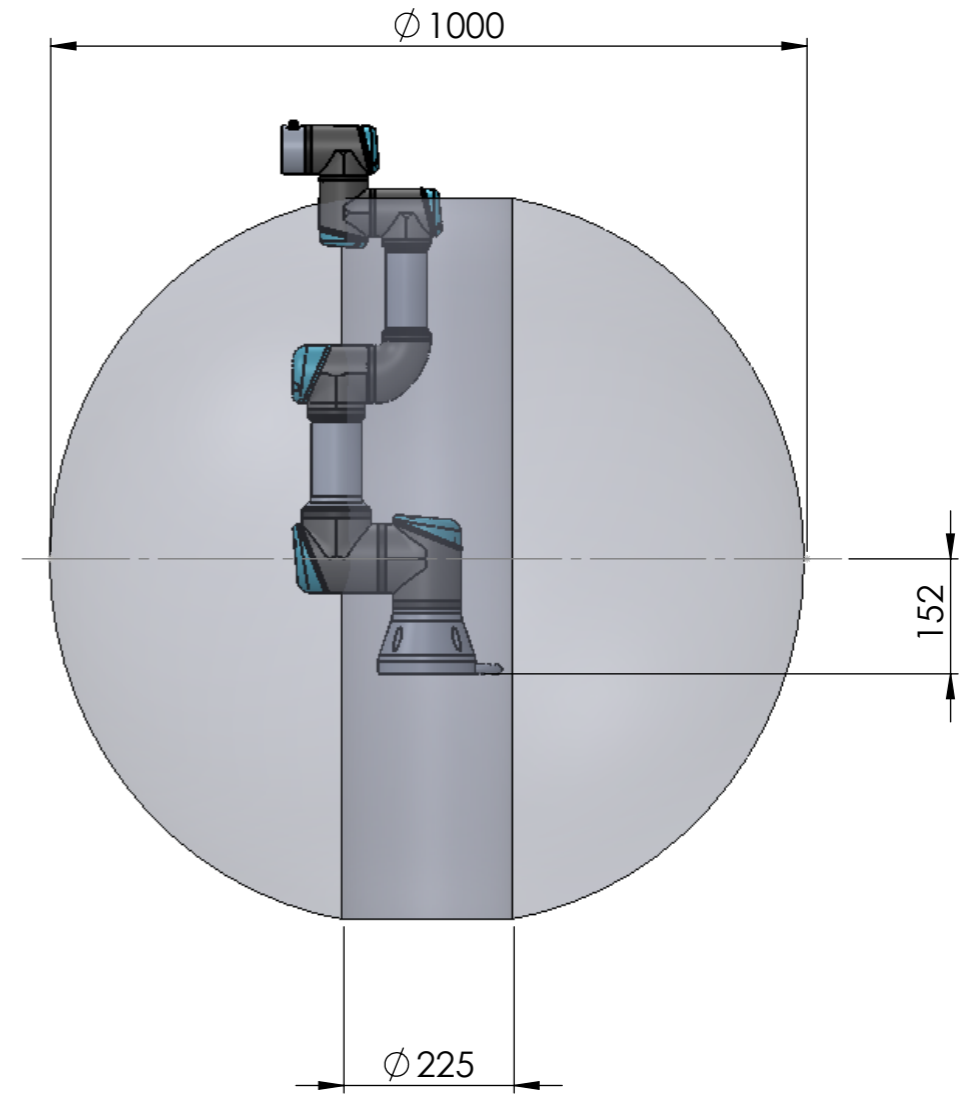
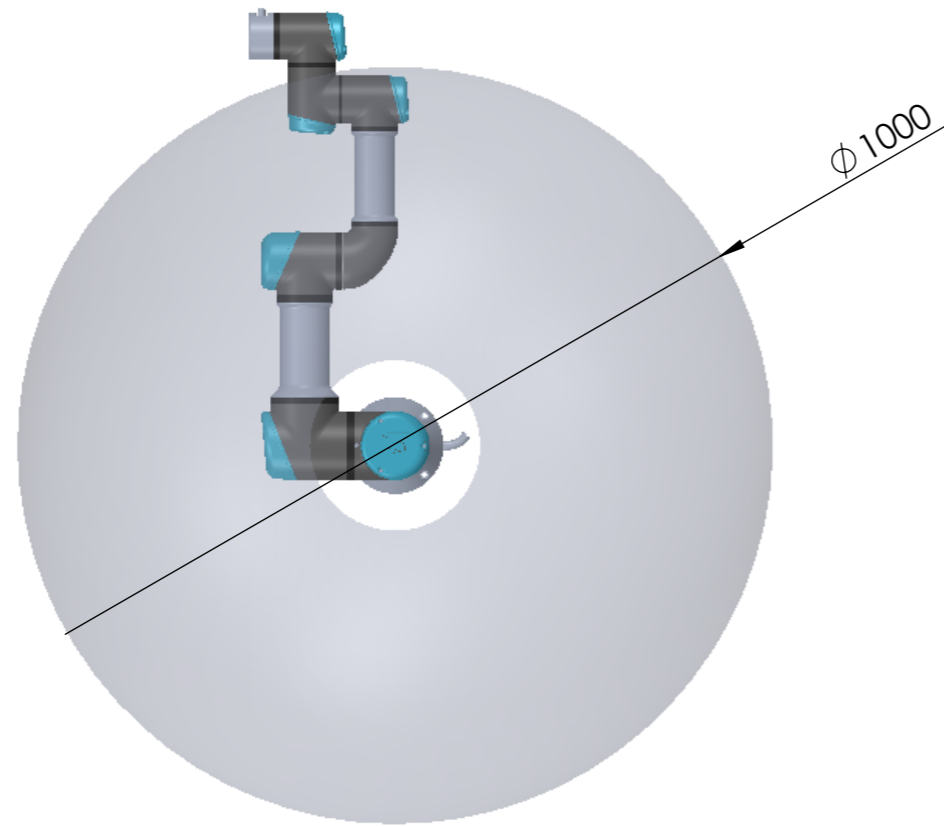


# Recommended Reach



Revision History:	NAME	APP.	DATE	NAME	DATE
REV:0	sjo	mma	10-09-2015	Engineer: sjo	31-07-2015
REV:				Drawing	31-07-2015
REV:				Approved mma	10-09-2015
REV:					
REV:					
REV:					
REV:					
REV:					
REV:					
REV:					

PROPRIETARY AND CONFIDENTIAL  
 THE INFORMATION CONTAINED IN THIS  
 DRAWING IS THE SOLE PROPERTY OF UNIVERSAL  
 ROBOTS. ANY REPRODUCTION IN PART OR AS A  
 WHOLE WITHOUT THE WRITTEN PERMISSION OF  
 UNIVERSAL ROBOTS IS PROHIBITED

SURFACE FINISH	
TREATMENT	
MATERIAL	
WEIGHT	g
TOLERANCE	
Replace drawing:	UL class

 **UNIVERSAL ROBOTS**  
 TEL: +45 89 93 89 89 FAX: +45 38 79 89 89 WEB: universal-robots.com

TITLE: **Asm. Work area UR3 AE**

DATE: **10-09-2015**  
 Status change date: 10-09-2015

DWG NO. **100402** REV. **0**

SCALE:1:10 SHEET 1 OF 1 SIZE A3