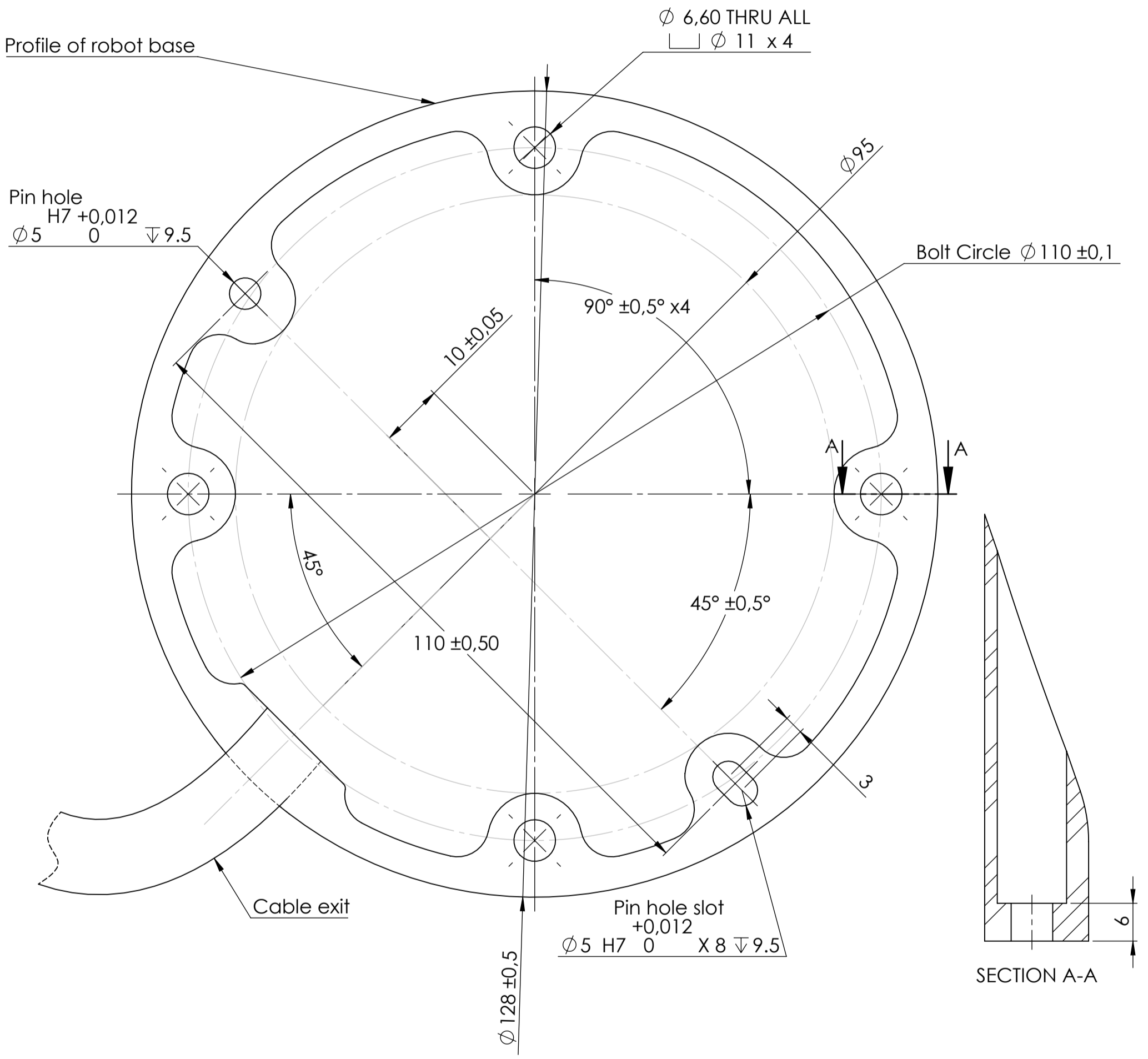
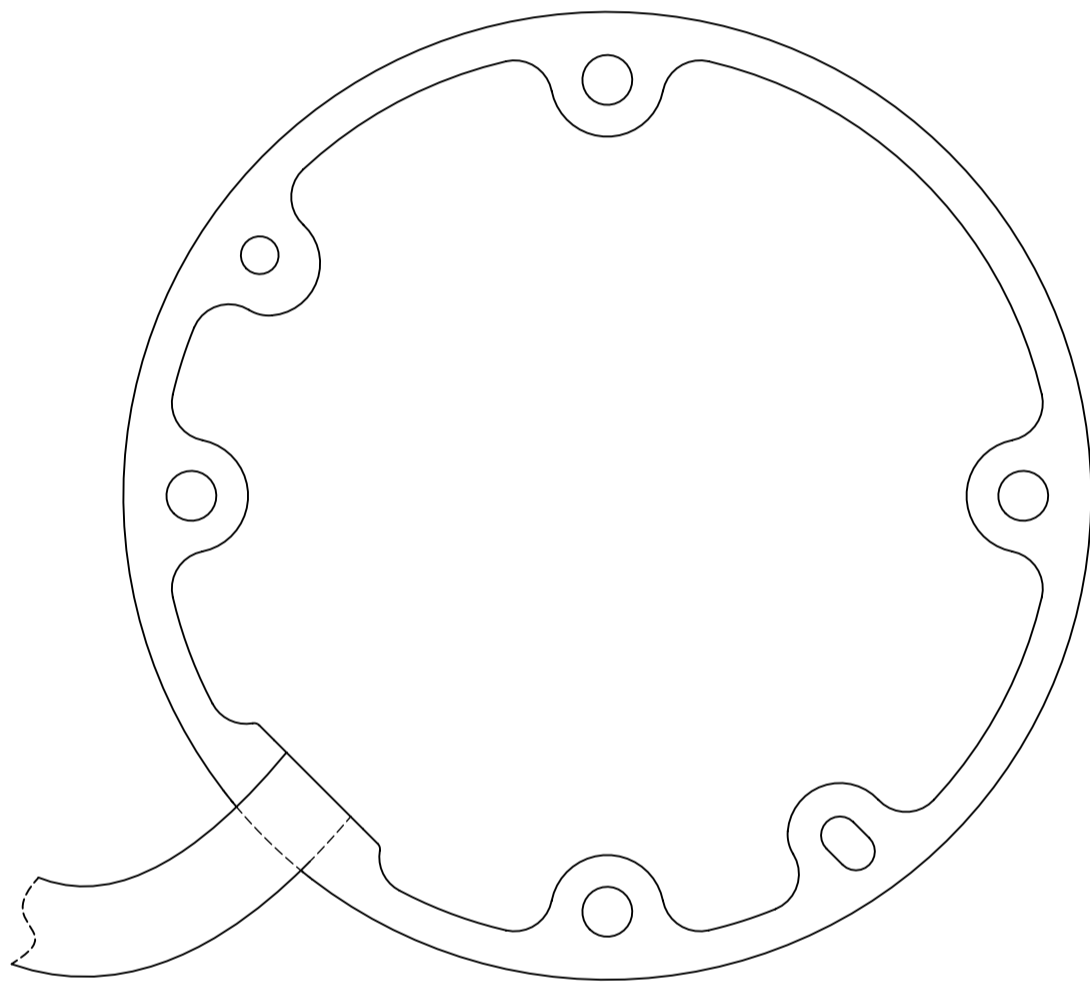


Bottom view of Robot base.



General tolerance ISO 2768-1 m

Scale 1:1.5



Scale 1:1